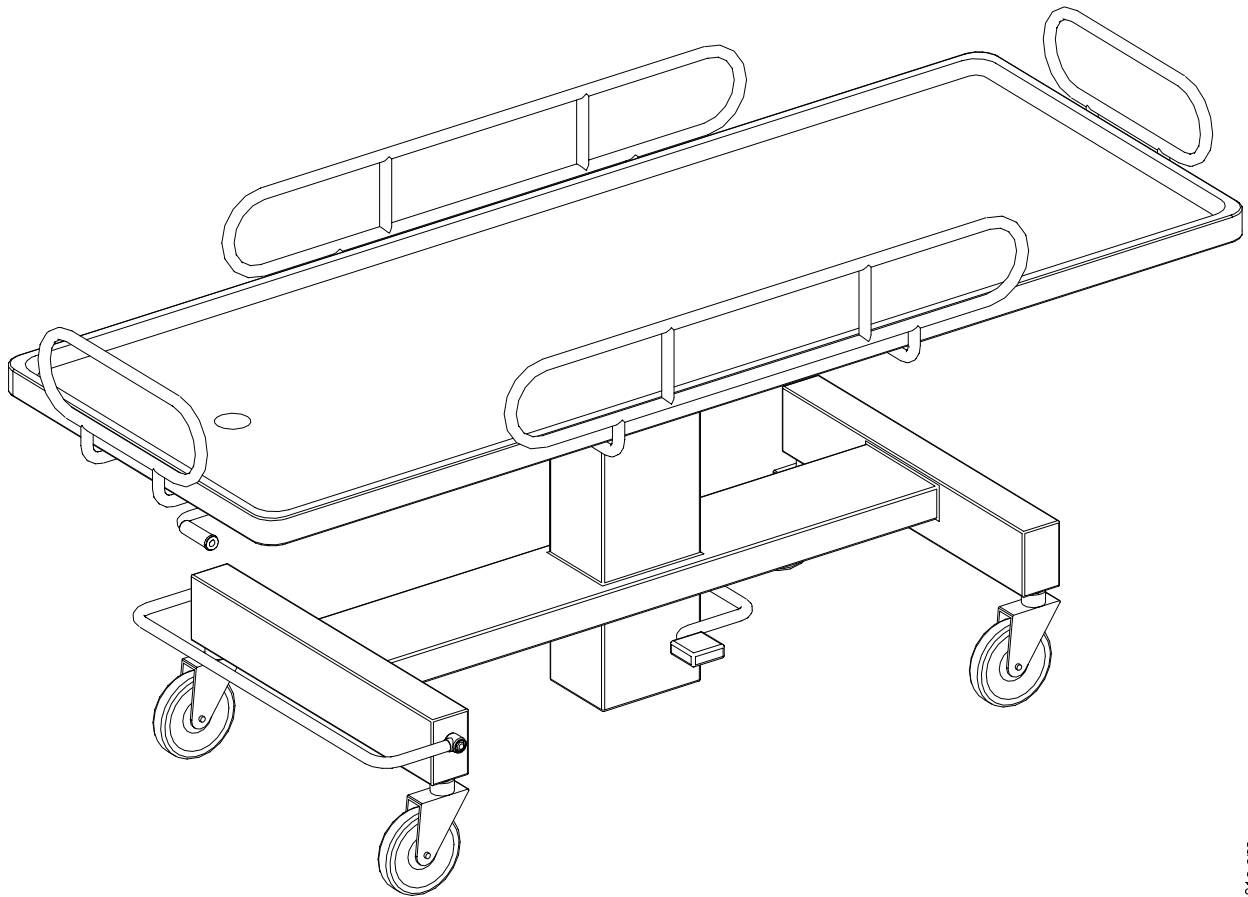


MERIAQUA SHOWER TROLLEY 210



01001c.eps



MERIVAARA

MERIVAARA INSTRUMENTARIUM

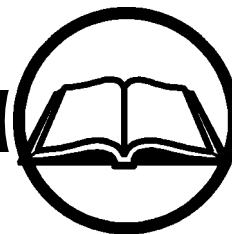
Merivaara Division • Instrumentarium Corp.
Puustellintie 2, FIN-15150 LAHTI, FINLAND
Tel. +358 10 394 611 Fax +358 10 394 6144
merivaara@instrumentarium.fi

www.instrumentarium.fi/merivaara

CE

1	GENERAL	3
2	TECHNICAL DATA	4
	2.1 Identification plate	4
	2.2 Properties and material	4
3	USE OF PRODUCT	5
	3.1 Parts and adjustments of the shower trolley	5
	3.1.1 Central brake pedal	5
	3.1.2 Height adjustment	5
	3.1.3 Trendelenburg- and antitrendelenburg adjustments	5
	3.1.4 Side rail	5
4	ACCESSORIES	6
	4.1 Attachment of the accessories	6
	4.1.1 Shower mattress 217	6
	4.1.2 Water outlet tube 219	6
	4.1.3 Infusion rod with clamp 222	6
5	CLEANING	6
	5.1 Spraying	6
	5.2 Desinfecting	6
	5.3 Drying	6
6	RECYCLE	7
	6.1 Metals and plastics	7
	6.1.1 Gas springs	7
	6.1.2 Hydraulics	7

1. GENERAL



Thank you for the purchase of the Merivaara Patient Shower System.

In order to make sure that this equipment is safe to use and functions without difficulties we ask you to study the user manual carefully. Please note if you install accessories to the Shower Trolley, study the accessories manuals attached. Please complete your manuals with any additional material needed.

The warnings and remarks used are defined as follows:

WARNING ! The warning have to be followed to guarantee patient safety.

CAUTION ! The caution have to be followed to avoid damages in the equipment or its parts.

- Warnings and cautions on page 5, 6 and 7.

The equipment is classified according to directive 93/42/EEC (MDD) class I and CE-marked.

Use

The Merivaara Patient Shower System is used for patient showering and washing in hospitals and nursing homes. **Don't fill the shower mattress with water.**

Your Specialist for integrated Medical Furniture and Equipment Systems.

Merivaara products form an integrated furnishing system for clinical, hospital and nursing home environments. The comprehensive range of Merivaara products includes high-quality tools and equipment needed in a variety of medical procedures.

Merivaara products feature flexible design, adjust easily into ideal working positions which offers high patient comfort. Daily nursing procedures are readily accommodated by the safe and easy operation of all Merivaara products.

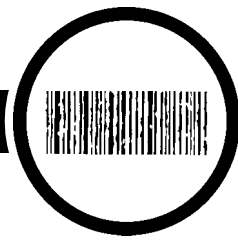
The comprehensive selection of available accessories make our products ideal for a number of speciality procedures.

Contact our export sales for further information.

Merivaara After Sales will help you with maintenance support!

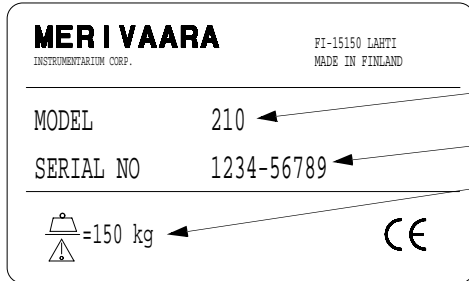


2. TECHNICAL DATA



2.1 Identification plate

The identification plate is located under the backrest section.



Model number
 Serial number
 Allowable maximum load.
 (Including patient, mattress and accessories.)

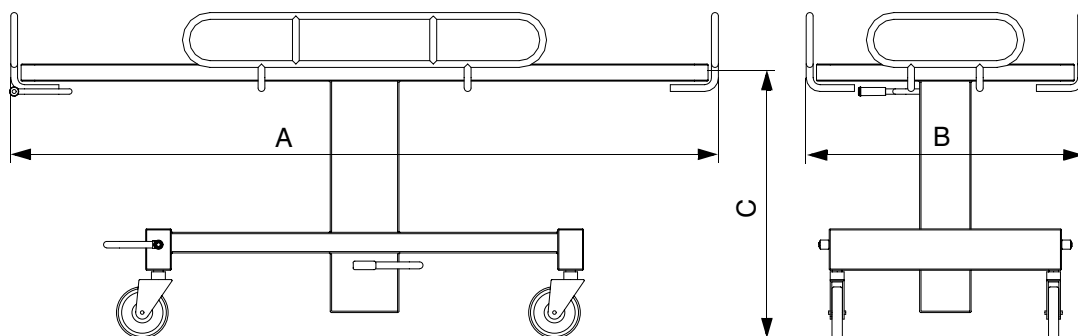
p4-9144_2.eps

2.2 Properties and material

Ambient temperature	+10 ... +40 °C
Ambient pressure	700 ... 1060 mbar
Temperature of transport	- 10 ... +40 °C
Temperature of store	+10 ... +40 °C
Allowable maximum load	
Incl. patient, mattress and accessories	150 kg

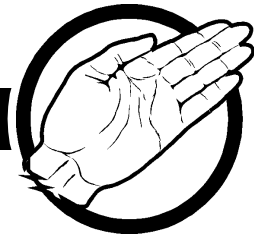
	210
Mattress	1- sectional
Trolley weight	85 kg
Length (A)	2050 mm
Width (B)	780 mm
Height (C)	600-900 mm
Castor	150 mm

Table 1. Measures

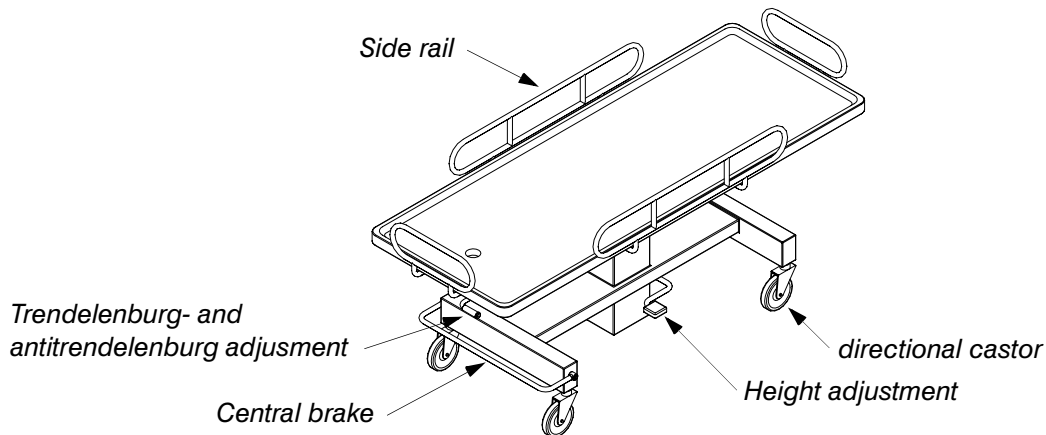


o1001b.eps

3. USE OF PRODUCT



3.1 Parts and adjustments of the shower trolley



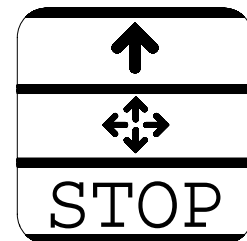
o1001.a.eps

3.1.1 Central brake pedal

Highest position, transportation position - guide castor locks.

Centre position, all castors turn.

Lowest position, all castors lock.



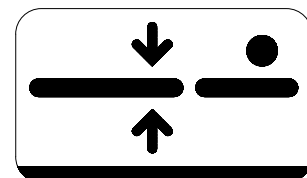
p4-9288.eps

3.1.2 Height adjustment

To raise the mattress base pump the hydraulic pedal.

To lower the mattress base lift up the hydraulic pedal.

Adjustment range is 300 mm.

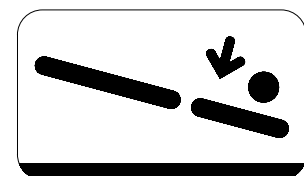


p4-9286v.eps

3.1.3 Trendelenburg- and antitrendelenburg adjustments

Hold firmly from the legrest of mattress base when you release the Trendelenburg adjustment from the handle.

Trendelenburg angle is 0 ... 11° and antitrendelenburg angle is 0 ... 4°.



p4-9281v.eps

WARNING ! Releasing Trendelenburg-adjustment without lessening the movement of mattress base with other hand, may cause an uncontrolled leaning movement.

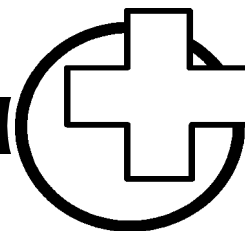


3.1.4 Side rail

Lifting: Lift each side rail unit it locks.

Lowering: release the handle under the side rail.

4. ACCESSORIES



4.1 Attachment of the accessories

4.1.1 Shower mattress 217

Place the shower mattress on the mattress base so that the outlet of the shower mattress is in place the mattress base hole.

WARNING! Concourse of water in shower mattress mant cause a dangerous situation.
Water outlet must not be blocked or otherwise further water collect on shower mattress.

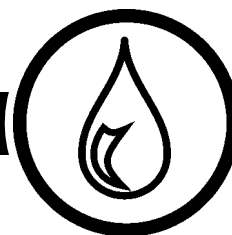
4.1.2 Water outlet tube 219

The water outlet tube is fixed under the mattress base by screwing it into the quick-release lock.

4.1.3 Infusion rod with clamp 222

The clamp of the infusion rod can be fixed anywhere on the vertical tubes of the side rail.

5. CLEANING



5.1 Cleaning

Before cleaning detach accessories. Wipeing or spraying with a mild alkaline detergent (ph 7 - 8).

5.2 Desinfecting

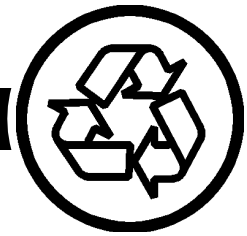
Wipe with cloth using e.g. 3 % chlorine disinfectant.

CAUTION! Recommended drying before desinfecting.

5.3 Drying

Dry in a hot air cabinet with hot air blower, max. temperature 80° C or dry carefully with a cloth.

6. RECYCLE



6.1 Metals and plastics

In case the trolley have to be disposed or spare parts are changed please note that we have used also recyclable materials. Most of the metals used are steel. There are also moulded zinc parts and brass sleeves. Please make sure the plastics are recyclable before disposal. Please contact your sales representative for more detailed material information. The local waste sorting centres will inform you more of the recycling.

Enclosed there are circulation markings which are used in plastic materials. They do as energy waste.



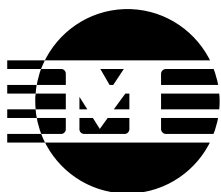
6.1.1 Gas springs

Gas springs do as metal waste when nitric gas and oil is removed first.

WARNING! Releasing the nitric gas is absolutely forbidden without appropriate instructions. The directions how to demolish the gas springs are available from our After Sales Service.

6.1.2 Hydraulics

The hydraulic cylinders and valves do as a metal waste when all oil is removed.



MERIVAARA

MERIVAARA INSTRUMENTARIUM